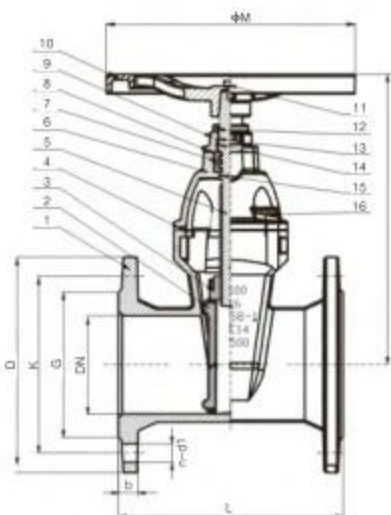


RESILIENT SEATED GATE VALVE. PN 10/16



Specifications

Size	DN40-1000
Class	Pn10 – PN16
Design	EN 1171, EN1074-2
Face to Face	EN558-1, ASME B16.10, AS2638
End Flange	EN1092-2ASME B16.1/16.42, AS4087
Tests	EN12266

Standard Materials Of Main Parts

Item	Part Name	Material
1	Body	Ductile Iron
2	Disc	EPDM
3	Stem Nut	CZ132
4	Bonnet Gasket	NBR
5	Stem	Stainless steel SS431
6	Bonnet	Ductile Iron
7	Holding Ring	CZ132
8	O Ring	NBR

Item	Part Name	Material
9	Gland	Ductile Iron
10	Handwheel	Ductile Iron
11	Bonnet Bolts	Stainless steel SS316
12	Dust Ring	NBR
13	O Ring	NBR
14	Separated sets of nylon	Nylon 66
15	U Ring	NBR
16	Screw	Stainless steel SS304

DIMENSIONS

DN	OUTLINE mm					END FLANGE PN10/16-CL125/150 mm								
	BS 5163	DIN -F4	DIN -F5	ASME B16.10	AS 2638	EN 1092-2			ASME B16.1/B16.42			AS4087		
						L	D	K	n-d	D	K	n-d	D	K
40	165	140	240	-	40	150	110	4 x ϕ 19	127	98,5	4 x ϕ 16	-	-	-
50	178	150	250	178	50	165	125	4 x ϕ 19	152	120,5	4 x ϕ 19	-	-	-
65	190	170	270	190	-	185	145	4 x ϕ 19	178	139,5	4 x ϕ 19	-	-	-
80	208	180	280	203	203	200	160	8 x ϕ 19	191	152,5	4 x ϕ 19	185	146	4 x ϕ 18
100	229	190	300	229	229	220	100	8 x ϕ 19	229	190,5	8 x ϕ 19	215	178	4 x ϕ 18
125	254	200	325	254	-	250	210	8 x ϕ 19	254	216	8 x ϕ 22	-	-	-
150	267	210	350	267	150	285	240	8 x ϕ 19	279	241,5	8 x ϕ 22	280	235	8 x ϕ 19
200	292	230	400	292	292	340	295	8 x ϕ 23 / 12 x ϕ 23	343	298,5	8 x ϕ 22	335	292	8 x ϕ 18
250	230	250	450	330	330	395/405	350/355	12 x ϕ 23 / 12 x ϕ 28	406	362	12 x ϕ 25	405	356	8 x ϕ 22
300	356	270	500	356	356	445/460	400/410	12 x ϕ 23 / 12 x ϕ 28	483	432	12 x ϕ 25	455	406	12 x ϕ 22