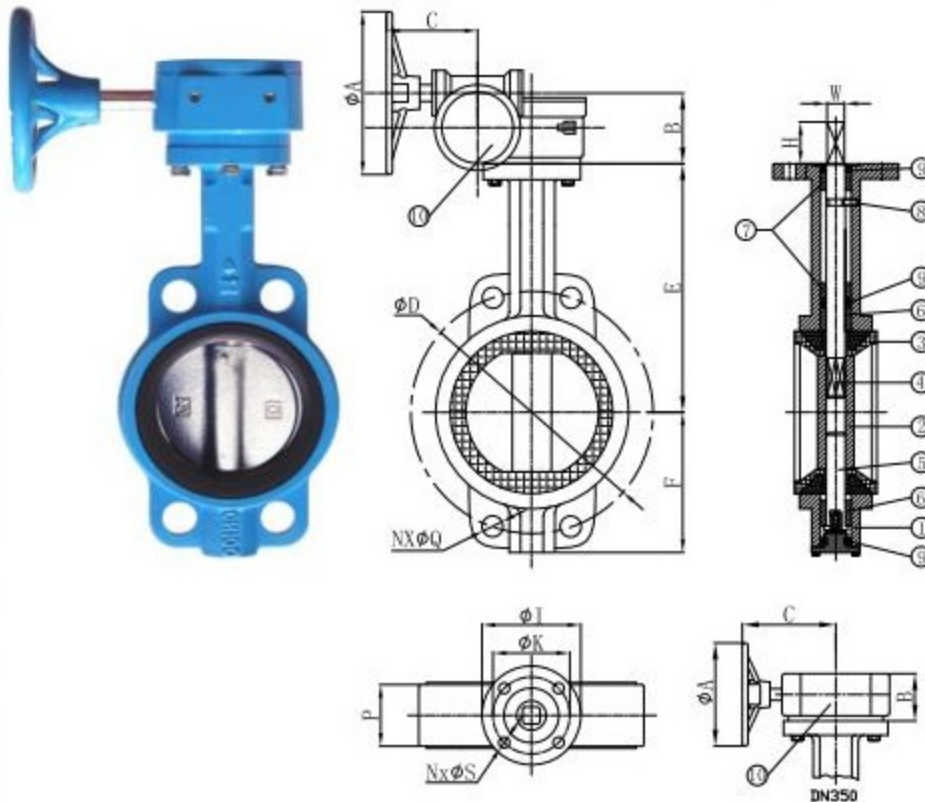


WAFER TYPE BUTTERFLY WITH GEARBOX PN10/16



Technical data

Size: DN 350 – DN 600. PN10/PN16
 Working Tem: -45 – 200°C
 Suitable mediums: Fresh water, drinking water, sewage, air, oils, sea water, acids, salt etc.

Standard

Design acc:
 : To BS 5155, BS EN 593 API609

Face to face Dimensions:
 : BS 5155, MSS SP67 and API 609.

End Connection:
 : Wafer type to suit DIN, BS, ANSI and JIS flanges.

Pressure Rating:
 : 16 Bar for DN 350 to DN 600.

Temperature (Seat):
 -45 to 80°C NBR, -45 to 120°C EPDM,
 -45 to 200°C Viton.

Top flange to ISO 5211.

Actuation:
 : Lever Operated for DN350 to DN600
 : (Gear Operated on request).
 : Gear Operated for DN 250 & above.

Optional:
 -Pneumatic or Electric Actuated.

MATERIAL LIST

ITEM	PART NAME	MATERIAL	Q.TY	ITEM	PART NAME	MATERIAL	Q.TY
1	Body	Ductile iron	1	6	Long bush	PTFE	2
2	Discs	Ductile iron/SS/Alu-Bronze	1	7	Short bush	PTFE	2
3	Seat	EPDM (Bonded)	1	8	Screw	CS	2
4	Upper shaft	SS431	1	9	O-ring	NBR	3
5	Lower shaft	SS431	1	10	Gearbox	Ductile iron (Aluminum for 350mm)	1

DIMENSIONS

DN	ØA	B	C	E	F	H	ØI	ØK	P	W	N x ØS	PN10		PN16	
												ØD	N x ØQ	ØD	N x ØQ
350	300	84	225	358	267	40	125	102	76	22	4 x 12	460	16 x 23	470	16 x 28
400	300	131	264	400	322	52	197	140	85.9	27	4 x 18	515	16 x 28	525	16 x 31
450	300	131	264	422	347	52	197	140	105	27	4 x 18	565	20 x 28	585	20 x 31
500	300	131	269	480	379	64	197	140	131.2	27	4 x 18	620	20 x 28	650	20 x 34
600	300	138	307	562	465	70	276	165	151.4	36	4 x 23	725	20 x 31	770	20 x 37