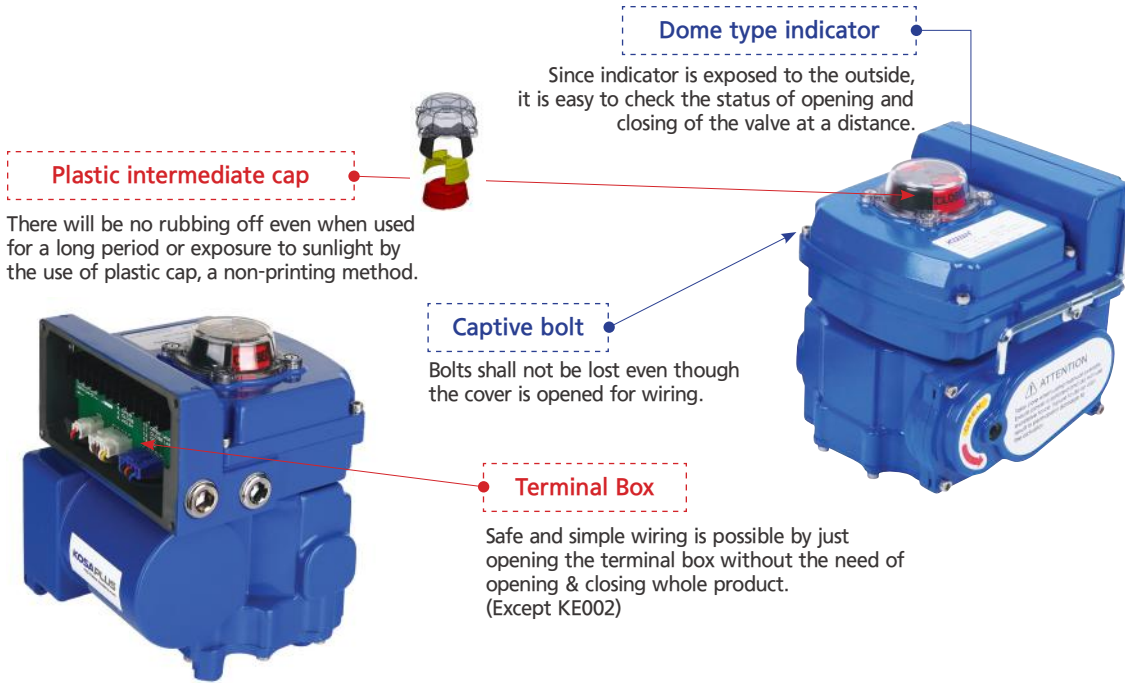


Electric actuator



► Selection guide

| Valve Size | | Ball Valve (2way/10K/#150) | Butterfly Valve (2way/10K/#150) |
|------------|-----------|----------------------------|---------------------------------|
| 1/2" | 15A | KE002 | |
| 3/4" | 20A | KE002 | |
| 1" | 25A | KE004 | |
| 1-1/4" | 32A | KE005 | |
| 1-1/2" | 40A | KE006 | KE002 |
| 2" | 50A | KE008 | KE004 |
| 2-1/2" | 65A | KE010 | KE005 |
| 3" | 80A | KE016 | KE006 |
| 4" | 100A | KE028 | KE008 |
| 5" | 125A | KE040 | KE010 |
| 6" | 150A | KE050 | KE016 |
| 8" | 200A | KE080 | KE028 |
| 10" | 250A | KE120 | KE040 |
| 12" | 300A | | KE050 |
| 14" | 350A/400A | | KE080 |
| 16" | 450A/500A | | KE120 |

- Data contained in the Catalog may be subject to change without advance notice for improvement of performance&safety of Product.
- Contact us for the most recent product and technical information. Visit our website for more details : <http://www.kosaplus.com>

Contents

Model code

Performance Specification ISO5211&stem

Dimension

Wiring

Option table Modulating Control

DC control board 2 wire/3 wire

Local control

Explosion proof

► Performance

| MODEL | MAX TORQUE (Nm) | OP. TIME 50/60Hz(sec) | RATED CURRENT(A) | | | MOTOR INSULATION /OUTPUT(AC · DC) | MANUAL TURNS |
|------------|-----------------|-----------------------|------------------------|-----------|-----|-----------------------------------|--------------|
| | | | AC(1PH) 50/60Hz | | DC | | |
| | | | 110V | 220V | 24V | | |
| KE002 | 20 | 17.5/14.5 | 0.29/0.25 | 0.12/0.1 | 1.5 | E · B/10W · 10W | 3 |
| #KE002-10N | 10 | 7/6 | 0.29/0.25 | 0.12/0.1 | 1.5 | E · B/10W · 10W | 3 |
| KE004 | 40 | 12/10 | 0.67/0.6 | 0.23/0.2 | 2 | E · B/10W · 10W | 3 |
| #KE004-15N | 15 | 8.5/7 | 0.67/0.6 | 0.23/0.2 | 2 | E · B/10W · 10W | 3 |
| KE005 | 50 | 13 | (100~250V AC) 0.1~0.25 | | 2 | B · B/10W · 10W | 18 |
| #KE005-20N | 20 | 6 | (100~250V AC) 0.1~0.25 | | 2 | B · B/10W · 10W | 18 |
| KE006 | 60 | 18/15 | 0.67/0.6 | 0.23/0.2 | 2 | E · B/10W · 10W | 3 |
| #KE006-25N | 25 | 8/6.5 | 0.67/0.6 | 0.23/0.2 | 2 | E · B/10W · 10W | 3 |
| KE008 | 80 | 17/14 | 0.53/0.50 | 0.33/0.29 | 2.5 | F · B/10W · 10W | 20 |
| #KE008-40N | 40 | 8/6 | 0.53/0.50 | 0.33/0.29 | 2.5 | F · B/10W · 10W | 20 |

| MODEL | MAX TORQUE (Nm) | | | OP. TIME 50/60Hz (sec) | RATED CURRENT (A) | | | | | MOTOR INSULATION /OUTPUT(AC · DC) | MANUAL TURNS |
|-------------|-----------------|-----|------|------------------------|-------------------|-----------|------------|-----------|-----|-----------------------------------|--------------|
| | 0° | 45° | 90° | | AC(1PHASE) | | AC(3PHASE) | | DC | | |
| | | | | | 110V | 220V | 380V | 440V | 24V | | |
| KE010 | 100 | 65 | 100 | 22/18 | 0.82/0.75 | 0.42/0.40 | N/A | N/A | 2.5 | F · B/10W · 15W | 15 |
| #KE010-80N | 80 | 50 | 80 | 18/14 | 0.82/0.75 | 0.42/0.40 | N/A | N/A | 2.5 | F · B/10W · 15W | 11 |
| #KE010-60N | 60 | 40 | 60 | 11/14 | 0.82/0.75 | 0.42/0.40 | N/A | N/A | 2.5 | F · B/10W · 15W | 9 |
| KE016 | 160 | 107 | 160 | 28/23 | 0.94/0.85 | 0.50/0.46 | 0.47/0.37 | 0.62/0.49 | 4 | F · B/15W · 15W | 19 |
| #KE160-130N | 130 | 85 | 130 | 22/18 | 0.94/0.85 | 0.50/0.46 | 0.47/0.37 | 0.62/0.49 | 4 | F · B/15W · 15W | 16 |
| #KE160-100N | 100 | 65 | 100 | 18/14 | 0.94/0.85 | 0.50/0.46 | 0.47/0.37 | 0.62/0.49 | 4 | F · B/15W · 15W | 13 |
| KE028 | 280 | 190 | 280 | 40/33 | 0.94/0.85 | 0.50/0.46 | 0.47/0.37 | 0.62/0.49 | 4 | F · B/15W · 15W | 23 |
| #KE028-240N | 240 | 160 | 240 | 30/25 | 0.94/0.85 | 0.50/0.46 | 0.47/0.37 | 0.62/0.49 | 4 | F · B/15W · 15W | 19 |
| #KE028-190N | 190 | 125 | 190 | 24/20 | 0.94/0.85 | 0.50/0.46 | 0.47/0.37 | 0.62/0.49 | 4 | F · B/15W · 15W | 15 |
| KE040 | 400 | 270 | 400 | 40/33 | 1.09/1.23 | 0.54/0.58 | 0.16/0.15 | 0.18/0.16 | 5.5 | F · B/25W · 40W | 23 |
| #KE040-350N | 350 | 240 | 350 | 30/25 | 1.09/1.23 | 0.54/0.58 | 0.16/0.15 | 0.18/0.16 | 5.5 | F · B/25W · 40W | 19 |
| #KE040-300N | 300 | 220 | 300 | 24/20 | 1.09/1.23 | 0.54/0.58 | 0.16/0.15 | 0.18/0.16 | 5.5 | F · B/25W · 40W | 15 |
| KE050 | 500 | 350 | 500 | 40/33 | 1.55/1.75 | 0.72/0.90 | 0.30/0.28 | 0.40/0.30 | N/A | F/40W | 23 |
| #KE050-450N | 450 | 310 | 450 | 30/25 | 1.55/1.75 | 0.72/0.90 | 0.30/0.28 | 0.40/0.30 | N/A | F/40W | 19 |
| #KE050-400N | 400 | 280 | 400 | 24/20 | 1.55/1.75 | 0.72/0.90 | 0.30/0.28 | 0.40/0.30 | N/A | F/40W | 15 |
| KE080 | 800 | 540 | 800 | 51/42 | 1.97/2.83 | 1.09/1.46 | 0.5/0.54 | 0.57/0.55 | N/A | F/60W | 77 |
| KE120 | 1200 | 800 | 1200 | 51/42 | 1.97/2.83 | 1.09/1.46 | 0.5/0.54 | 0.57/0.55 | N/A | F/90W | 77 |

*Maximum current can be +30% from rated current. #Option

Contents

Model code

Performance Specification ISO5211&stem

Dimension

Wiring

Option table Modulating Control

DC control board 2 wire/3 wire

Local control

Explosion proof

► ISO5211 & stem

| | Standard | Option | Wt (Kg) |
|-------|------------------|------------------|---------|
| KE002 | F03/05, 11*11 | | 0.9 |
| KE004 | F03/05/07, 11*11 | 14*14 | 1.5 |
| KE005 | F03/05/07, 14*14 | 11*11 | 1.3 |
| KE006 | F03/05/07, 14*14 | | 1.9 |
| KE008 | F03/05/07, 14*14 | F05/07, 17*17 | 2.6 |
| KE010 | F05/07, 14*14 | 17*17 | 3.0 |
| KE016 | F05/07/10, 17*17 | | 6.2 |
| KE028 | F07/10, 22*22 | F07/10/12, 27*27 | 8.9 |
| KE040 | F07/10, 22*22 | F07/10/12, 27*27 | 9.4 |
| KE050 | F07/10, 22*22 | F07/10/12, 27*27 | 9.4 |
| KE080 | F10/12, 36*36 | F10/14, 36*36 | 26.0 |
| KE120 | F10/12, 36*36 | F10/14, 36*36 | 26.0 |

► Standard specification

| | | |
|-------------------------|--|--------------------------------------|
| AMBIENT TEMPERATURE | -20℃~+60℃ | |
| MOTOR CONDITION | Duty 40% | |
| INDICATOR | Dome type mechanical indicator | |
| AUX. LIMIT SWITCHES | KE002 | N/A (in option) |
| | KE004~KE120 | 2 each for Open and Close 250VAC/5A |
| MANUAL OPERATION | KE002, KE004, KE006 | By Spanner 5mm |
| | KE005, KE008 | By Wrench 5mm |
| | KE010, KE016 | By Wrench 6mm (Hand wheel in option) |
| | KE028, KE040, KE050 | By Wrench 8mm (Hand wheel in option) |
| | KE080, KE120 | By clutchless Hand Wheel |
| TRAVEL ANGEL | 90° ± 5° | |
| INSIDE HEATER (Only AC) | (KE002,KE004,KE006,KE008) N/A (KE005,KE008~KE120) 1PH 220/110V AC | |
| CABLE ENTRY | (KE002) Cable wire (1000mm,6000mm in option) (KE004/KE006) Terminal box (1-PF1/2) (KE005/KE008~KE120) Terminal box (2-PF1/2) | |

Dimension

Contents

Model code

Performance Specification
ISO5211&stem

Dimension

Wiring

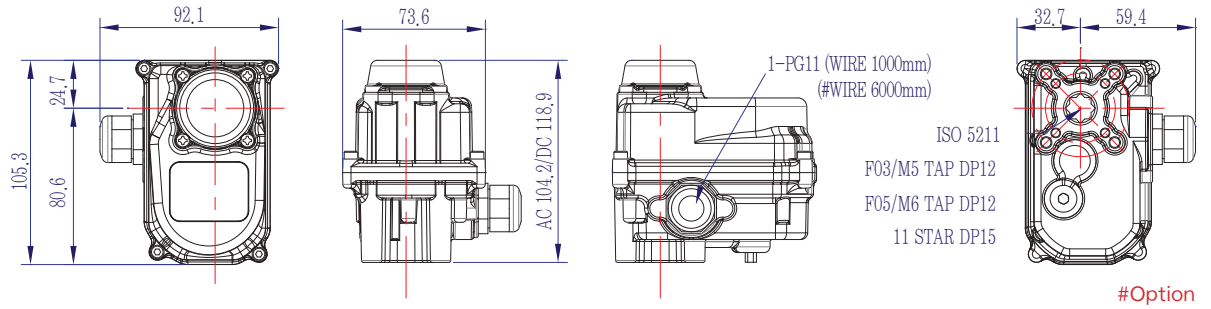
Option table
Modulating Control

DC control board
2 wire/3 wire

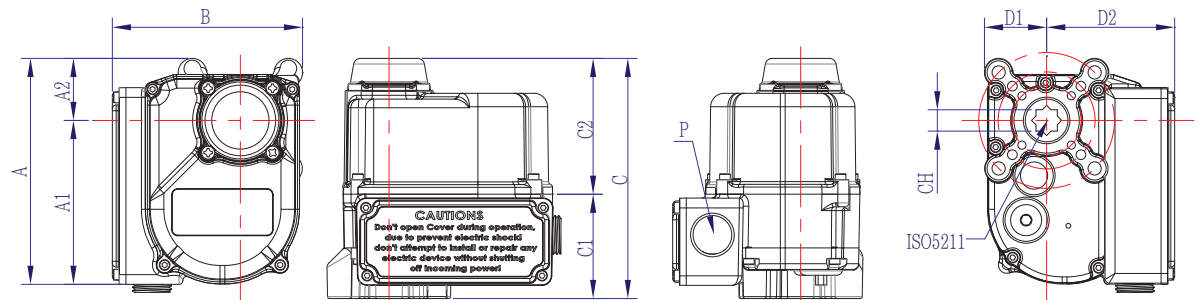
Local control

Explosion proof

KE002



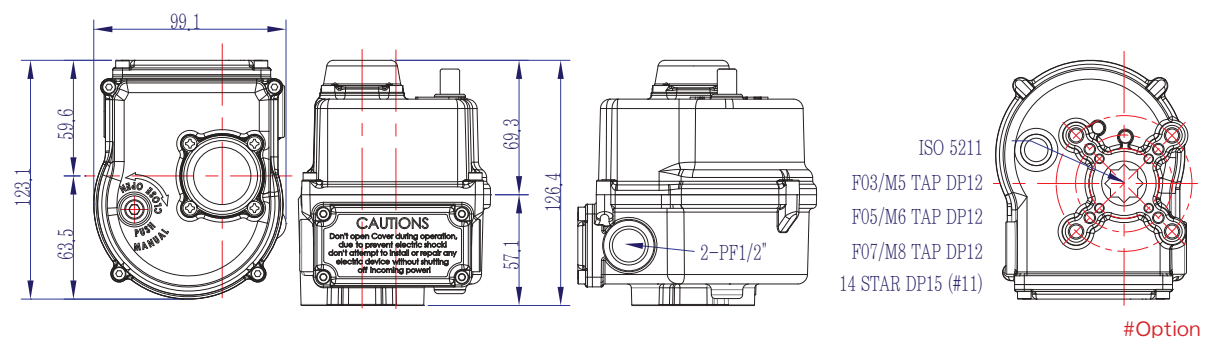
KE004 / KE006 / KE008



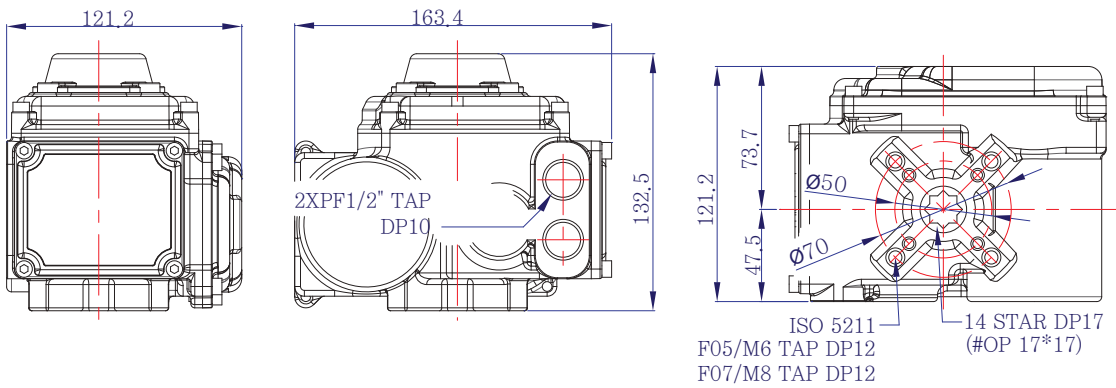
| MODEL | A | A1 | A2 | B | C | C1 | C2 | ISO5211 | P.C.D | N-M | CH | DTH | P |
|-------|-------|------|------|-------|-------|------|------|-------------|----------|------------|--------|-----|---------|
| KE004 | 116.5 | 32 | 84.5 | 98.1 | 123.8 | 53.8 | 70 | F03/F05/F07 | 36/50/70 | 4-M5/M6/M8 | 11*11 | 15 | 1-PF1/2 |
| | | | | | | | | | | | #14*14 | 16 | |
| KE006 | 122 | 34.2 | 97.9 | 111.3 | 134.5 | 59 | 75.5 | F03/F05/F07 | 36/50/70 | 4-M5/M6/M8 | 14*14 | 16 | 1-PF1/2 |
| KE008 | 125.3 | 33.7 | 91.6 | 122.3 | 155.5 | 81.5 | 74 | F03/F05/F07 | 36/50/70 | 4-M5/M6/M8 | 14*14 | 16 | 2-PF1/2 |
| | | | | | | | | #F05/07 | 50/70 | 4-M6/M8 | 17*17 | 19 | |

1) You can choose only F03/F05/F07 with 14*14 or F05/F07 with 17*17. #Option

KE005



KE010



Contents

Model code

Performance Specification ISO5211&stem

Dimension

Wiring

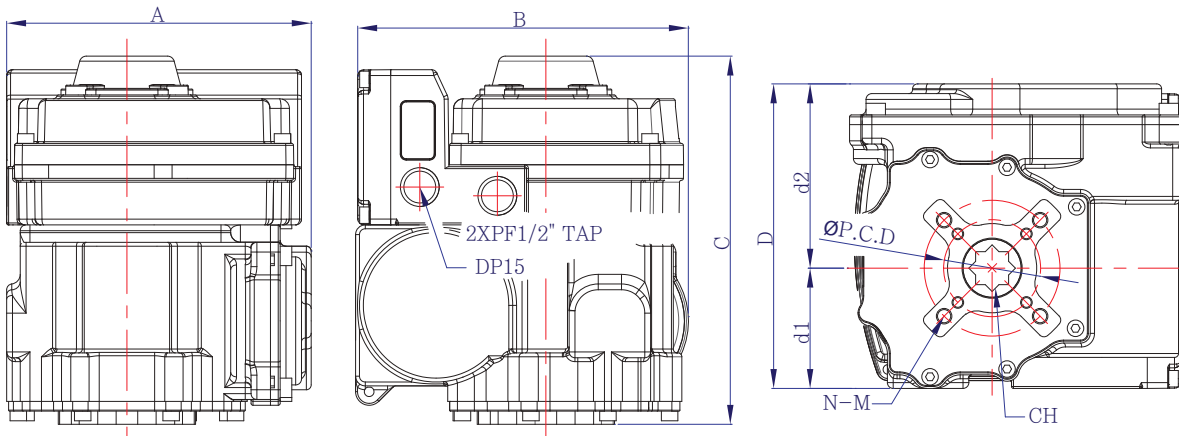
Option table Modulating Control

DC control board 2 wire/3 wire

Local control

Explosion proof

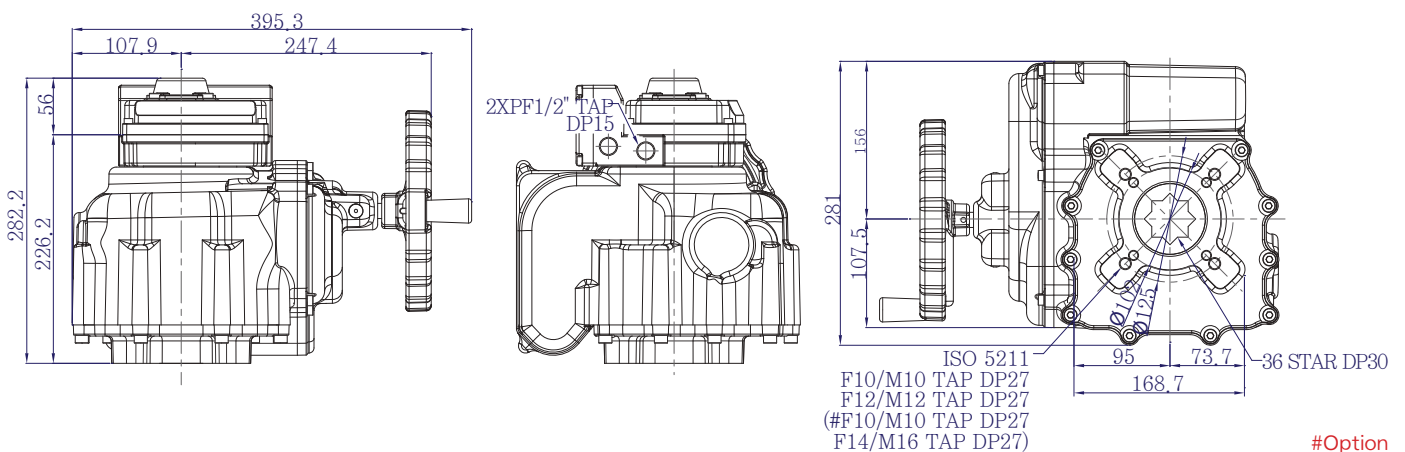
KE016 / KE028 / KE040 / KE050



| MODEL | A | B | C | D | d1 | d2 | ISO | P.C.D | N-M | CH | DTH |
|-------|-------|-------|-------|-------|------|-------|----------------------------|-------------|--------------|--------|-----|
| KE016 | 157.0 | 170.5 | 189.8 | 157 | 62 | 95 | F05/F07/F10 | 50/70/102 | 4-M6/M8/M10 | 17x17 | 19 |
| KE028 | 181.9 | 208.9 | 209.0 | 181.9 | 73.7 | 108.2 | ¹⁾ F07/F10 | 70/102 | 4-M8/M10 | 22x22 | 24 |
| KE040 | | | | | | | ¹⁾ #F07/F10/F12 | #70/102/125 | 4-M8/M10/M12 | #27x27 | 29 |
| KE050 | | | | | | | | | | | |

You can choose only F07/F10 with 22*22 or F07/F10/F12 with 27*27. #Option

KE080 / KE120



#Option

Wiring

- 1) If two or more electric actuators are operated, there must be individual relays for each actuator.
- 2) Each actuator should have two relays (a relay for open and a relay for close) respectively

Contents

Model code

Performance Specification ISO5211&stem

Dimension

Wiring

Option table Modulating Control

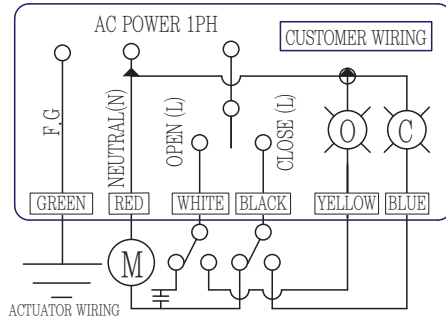
DC control board 2 wire/3 wire

Local control

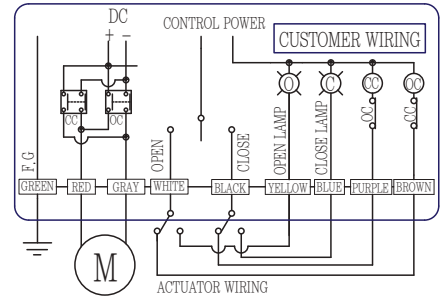
Explosion proof

KE002

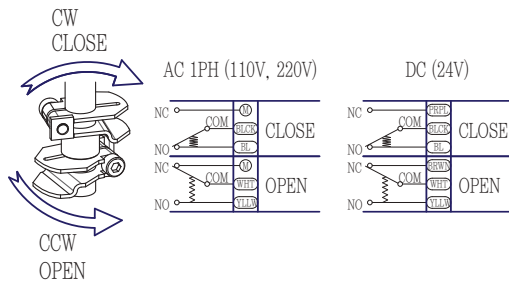
AC 1PH



DC 24V



SWITCH WIRING (POSITION : FULL CLOSE)

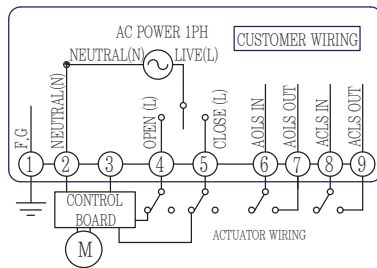


LIMIT SWITCH OPERATION

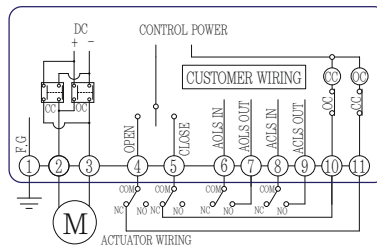
| SWITCH | CLOSE | ← INTERMEDIATE → | OPEN |
|------------|-------|------------------|------|
| CLS COM-NC | | █ | |
| CLS COM-NO | █ | | |
| OLS COM-NC | █ | | |
| OLS COM-NO | | | █ |

KE004 / KE005 / KE006

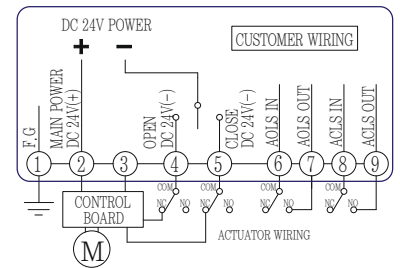
AC 1PH



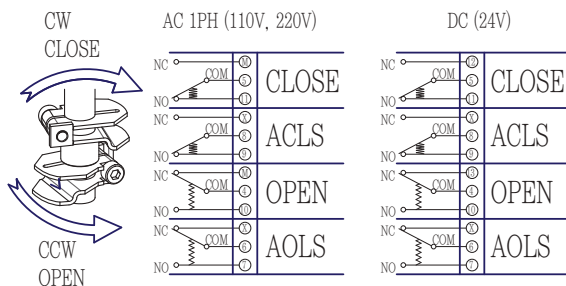
DC 24V (KE004/KE006)



DC 24V (KE005)



SWITCH WIRING (POSITION : FULL CLOSE)

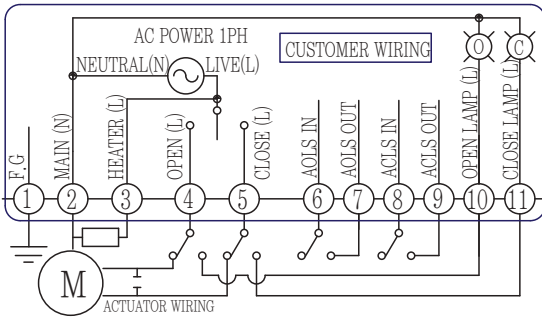


LIMIT SWITCH OPERATION

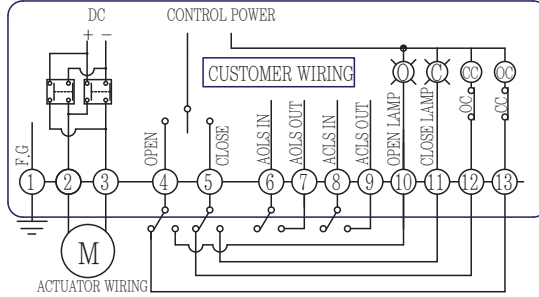
| SWITCH | CLOSE | ← INTERMEDIATE → | OPEN |
|-------------|-------|------------------|------|
| CLS COM-NC | | █ | |
| CLS COM-NO | █ | | |
| ACLS COM-NC | | █ | |
| ACLS COM-NO | █ | | |
| OLS COM-NC | █ | | |
| OLS COM-NO | | | █ |
| AOLS COM-NC | █ | | |
| AOLS COM-NO | | | █ |

KE008 ~ KE120

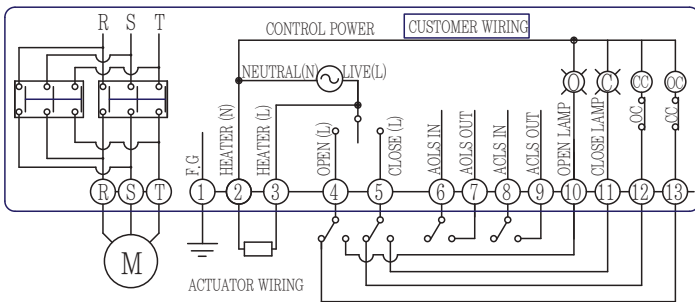
▶ AC 1PH



▶ DC 24V (KE008~KE040)



▶ AC 3PH (KE016~KE120)

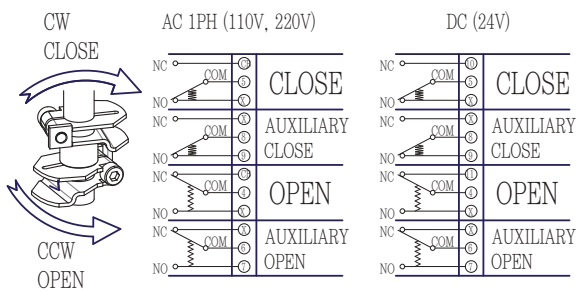


▶ LIMIT SWITCH OPERATION

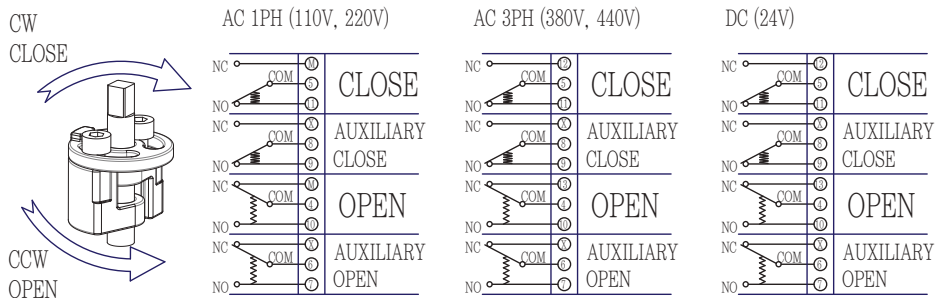
| SWITCH | CLOSE ← INTERMEDIATE → OPEN |
|-------------|-----------------------------|
| CLS COM-NC | █ |
| CLS COM-NO | █ |
| ACLS COM-NC | █ |
| ACLS COM-NO | █ |
| OLS COM-NC | █ |
| OLS COM-NO | █ |
| AOLS COM-NC | █ |
| AOLS COM-NO | █ |

▶ SWITCH WIRING (POSITION : FULL CLOSE)

▶ KE008



▶ KE010 ~ KE120



Contents

Model code

Performance Specification
ISO5211&stem

Dimension

Wiring

Option table
Modulating Control

DC control board
2 wire/3 wire

Local control

Explosion proof

► Option table

Contents

Model code

Performance Specification ISO5211&stem

Dimension

Wiring

Option table Modulating Control

DC control board 2 wire/3 wire

Local control

Explosion proof

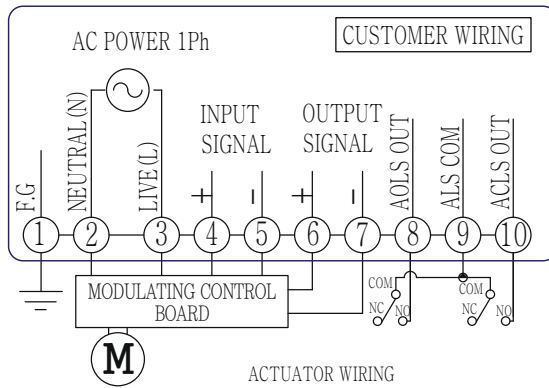
| Option | Description | Model | | | | | | | | | | | |
|--------|--|--------|-------|-----------------------------|-------|-------|-------|-------|-------|-------|-------|-----------------------------|-------|
| | | KE002 | KE004 | KE005 | KE006 | KE008 | KE010 | KE016 | KE028 | KE040 | KE050 | KE080 | KE120 |
| WT | Watertight (IP68 5m 120hr) | ○ | ○ | ○ | ○ | ○ | ○ | ○ | ○ | ○ | ○ | ○ | ○ |
| TS | Electric Torque switches | | | | | | | | ○ | ○ | ○ | ○ | ○ |
| MC | Modulating Control (4~20mA) | 1ph | ○ | ○ | ○ | ○ | ○ | ○ | ○ | ○ | ○ | ○ | ○ |
| SM | Modulating cotrol (4~20mA,0~1V,2~10V,0~5V,1~5V) | 1ph | ○ | ○ | ○ | ○ | | | ○ | ○ | ○ | ○ | ○ |
| | | 24v dc | ○ | ○ | ○ | ○ | ○ | ○ | ○ | ○ | | | |
| LC | Local Control (Electric torque switch included) | 1ph | | | | | | | ○ | ○ | ○ | ○ | ○ |
| | | 3ph | | | | | | | ○ | ○ | ○ | ○ | ○ |
| LM | Local and Modulating control (Electric torque switch included) | 1ph | | | | | | | ○ | ○ | ○ | ○ | ○ |
| | | 3ph | | | | | | | ○ | ○ | ○ | ○ | ○ |
| C2 | 24V DC Control board (2 Wire) | ○ | ○ | | ○ | | | | | | | | |
| C3 | 24V DC Control board (3 Wire) | ○ | ○ | Standard Included | ○ | | | | | | | | |
| TP | Thermal Protect | | | | | | | | | | | (Only AC) Standard Included | |
| HT | Heater | | | (Only AC) Standard Included | | | | | | | | (Only AC) Standard Included | |
| TH | Thermal protect and Heater | ○ | ○ | | ○ | | | | | | | | |

► Wiring

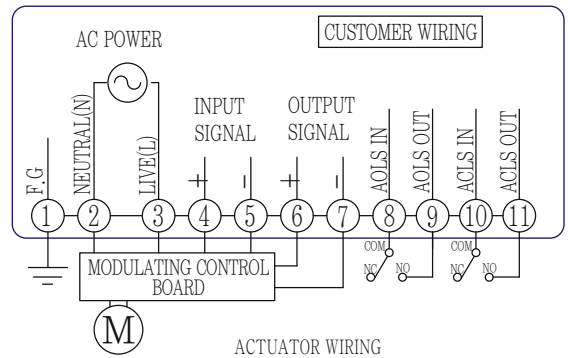
MC&SM (Modulating Control)

*MC and SM are the same wiring.

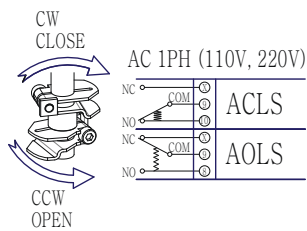
► AC 1PH (KE002~KE006)



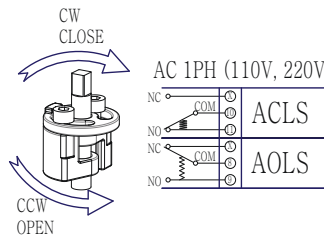
► AC 1PH (KE008~KE120)



► KE008



► KE010~KE120



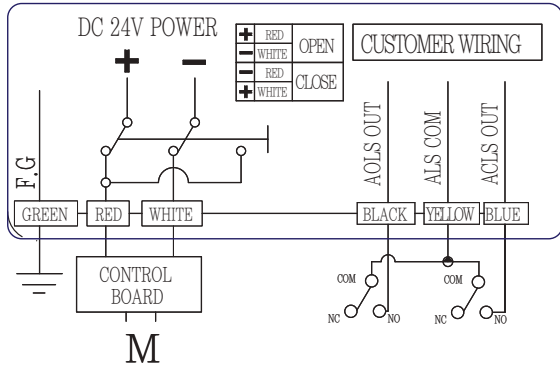
► LIMIT SWITCH OPERATION

| SWITCH | CLOSE | ← INTERMEDIATE → | OPEN |
|-------------|-------|------------------|------|
| CLS COM-NC | | █ | |
| CLS COM-NO | █ | | |
| ACLS COM-NC | | █ | |
| ACLS COM-NO | █ | | |
| OLS COM-NC | | | █ |
| OLS COM-NO | █ | | |
| AOLS COM-NC | | █ | |
| AOLS COM-NO | █ | | |

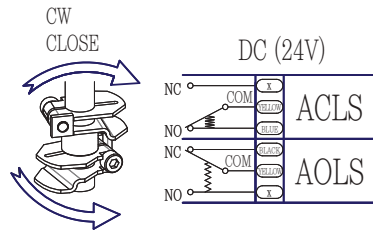
* MC option model's dimension is different with standard.
(KE002, KE004, KE006, KE010~KE120)

C2 (24V DC Control board 2 Wire)

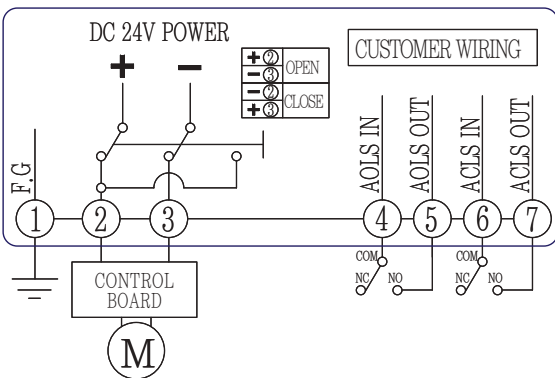
▶ KE002



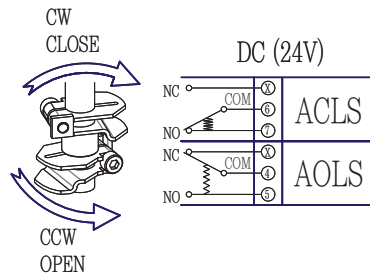
▶ SWITCH WIRING (POSITION : FULL CLOSE)



▶ KE004/KE006/KE008

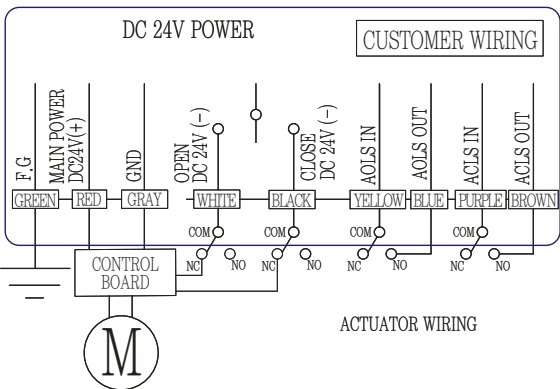


▶ SWITCH WIRING (POSITION : FULL CLOSE)

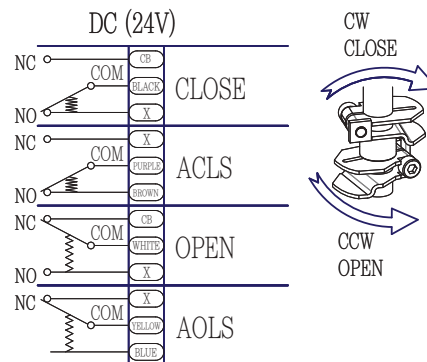


C3 (24V DC Control board 3 Wire)

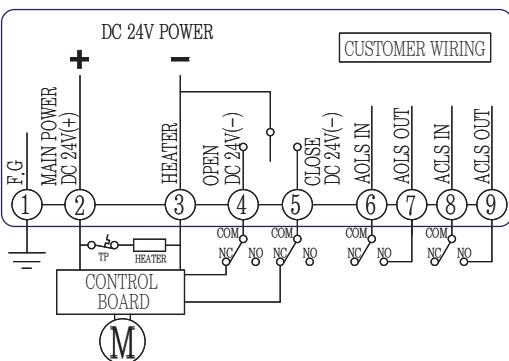
▶ KE002



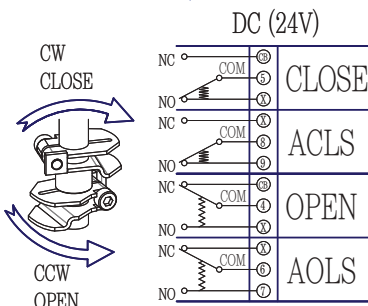
▶ SWITCH WIRING (POSITION : FULL CLOSE)



▶ KE004/KE006



▶ SWITCH WIRING (POSITION : FULL CLOSE)



Contents

Model code

Performance Specification
ISO5211&stem

Dimension

Wiring

Option table
Modulating Control

DC control board
2 wire/3 wire

Local control

Explosion proof

Contents

Model code

Performance Specification ISO5211&stem

Dimension

Wiring

Option table Modulating Control

DC control board 2 wire/3 wire

Local control

Explosion proof

LC (Local Control)

| | | |
|-------------------------------|--|----------------|
| MODEL RANGE | <ul style="list-style-type: none"> ·1ph Local control ·3ph Local control ·1ph Local control with Modulating control (Torque switch is included) ·3ph Local control with Modulating control (Torque switch is included) | |
| AMBIENT TEMPERATURE INDICATOR | -20°C~+60°C | |
| LIMIT SWITCHES | 2 Each for Open and Close 250VAC/5A | |
| MANUAL OPERATION | KE016 | By Spanner 6mm |
| | KE028, KE040, KE050 | By Spanner 8mm |
| | KE080, KE120 | BY Hand wheel |
| TRAVEL ANGLE | 90°+5 | |
| CABLE ENTRIES | 3-PF1/2 | |

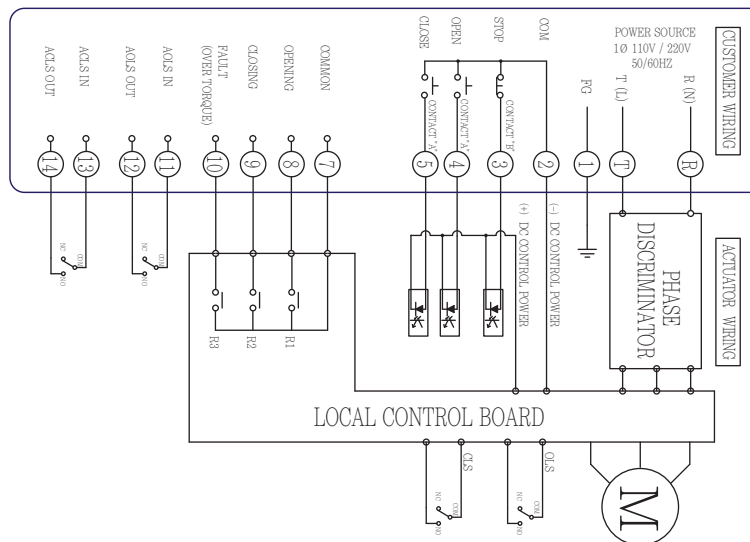


► Performance

| MODEL | MAX TORQUE (Nm) | | | OP. TIME 50/60Hz (sec) | RATED CURRENT (A) | | | | | MOTOR INSULATION /OUTPUT(AC · DC) | MANUAL TURNS |
|-------------|-----------------|-----|------|------------------------|-------------------|-----------|------------|-----------|-----|-----------------------------------|--------------|
| | 0° | 45° | 90° | | AC(1PHASE) | | AC(3PHASE) | | DC | | |
| | | | | | 110V | 220V | 380V | 440V | 24V | | |
| KE010 | 100 | 65 | 100 | 22/18 | 0.82/0.75 | 0.42/0.40 | N/A | N/A | 2.5 | F · B/10W · 15W | 15 |
| #KE010-80N | 80 | 50 | 80 | 18/14 | 0.82/0.75 | 0.42/0.40 | N/A | N/A | 2.5 | F · B/10W · 15W | 11 |
| #KE010-60N | 60 | 40 | 60 | 11/14 | 0.82/0.75 | 0.42/0.40 | N/A | N/A | 2.5 | F · B/10W · 15W | 9 |
| KE016 | 160 | 107 | 160 | 28/23 | 0.94/0.85 | 0.50/0.46 | 0.47/0.37 | 0.62/0.49 | 4 | F · B/15W · 15W | 19 |
| #KE160-130N | 130 | 85 | 130 | 22/18 | 0.94/0.85 | 0.50/0.46 | 0.47/0.37 | 0.62/0.49 | 4 | F · B/15W · 15W | 16 |
| #KE160-100N | 100 | 65 | 100 | 18/14 | 0.94/0.85 | 0.50/0.46 | 0.47/0.37 | 0.62/0.49 | 4 | F · B/15W · 15W | 13 |
| KE028 | 280 | 190 | 280 | 40/33 | 0.94/0.85 | 0.50/0.46 | 0.47/0.37 | 0.62/0.49 | 4 | F · B/15W · 15W | 23 |
| #KE028-240N | 240 | 160 | 240 | 30/25 | 0.94/0.85 | 0.50/0.46 | 0.47/0.37 | 0.62/0.49 | 4 | F · B/15W · 15W | 19 |
| #KE028-190N | 190 | 125 | 190 | 24/20 | 0.94/0.85 | 0.50/0.46 | 0.47/0.37 | 0.62/0.49 | 4 | F · B/15W · 15W | 15 |
| KE040 | 400 | 270 | 400 | 40/33 | 1.09/1.23 | 0.54/0.58 | 0.16/0.15 | 0.18/0.16 | 5.5 | F · B/25W · 40W | 23 |
| #KE040-350N | 350 | 240 | 350 | 30/25 | 1.09/1.23 | 0.54/0.58 | 0.16/0.15 | 0.18/0.16 | 5.5 | F · B/25W · 40W | 19 |
| #KE040-300N | 300 | 220 | 300 | 24/20 | 1.09/1.23 | 0.54/0.58 | 0.16/0.15 | 0.18/0.16 | 5.5 | F · B/25W · 40W | 15 |
| KE050 | 500 | 350 | 500 | 40/33 | 1.55/1.75 | 0.72/0.90 | 0.30/0.28 | 0.40/0.30 | N/A | F/40W | 23 |
| #KE050-450N | 450 | 310 | 450 | 30/25 | 1.55/1.75 | 0.72/0.90 | 0.30/0.28 | 0.40/0.30 | N/A | F/40W | 19 |
| #KE050-400N | 400 | 280 | 400 | 24/20 | 1.55/1.75 | 0.72/0.90 | 0.30/0.28 | 0.40/0.30 | N/A | F/40W | 15 |
| KE080 | 800 | 540 | 800 | 51/42 | 1.97/2.83 | 1.09/1.46 | 0.5/0.54 | 0.57/0.55 | N/A | F/60W | 77 |
| KE120 | 1200 | 800 | 1200 | 51/42 | 1.97/2.83 | 1.09/1.46 | 0.5/0.54 | 0.57/0.55 | N/A | F/90W | 77 |

*Maximum current can be +30% from rated current. #Option

► Wiring • 1PH LC (KE016, KE028, KE040, KE050, KE080, KE120)



STOP : REMOTE MODE ACTUATOR STOP
 OPEN : REMOTE MODE OPEN RUNNING
 CLOSE : REMOTE MODE CLOSE RUNNING
 R1 : OPENING MONITOR RELAY
 R2 : CLOSING MONITOR RELAY
 R3 : FAULT RELAY
 OLS : OPEN LIMIT SWITCH
 CLS : CLOSE LIMIT SWITCH

Explosion proof

► Standard specification

| | |
|---------------------|--|
| ENCLOSURE | Ex d IIB T4 IP67 |
| AMBIENT TEMPERATURE | -20°C~+70°C |
| INDICATOR | Flat type mechanical indicator (Dome type in option) |
| LIMIT SWITCHES | 2 Each for Open and Close 250VAC/5A |
| MANUAL OPERATION | By Spanner 5mm |
| TRAVEL ANGLE | 90° +5° |
| CABLE ENTRIES | 2-PF1/2 |



Contents

Model code

Performance Specification ISO5211&stem

Dimension

Wiring

Option table Modulating Control

DC control board 2 wire/3 wire

Local control

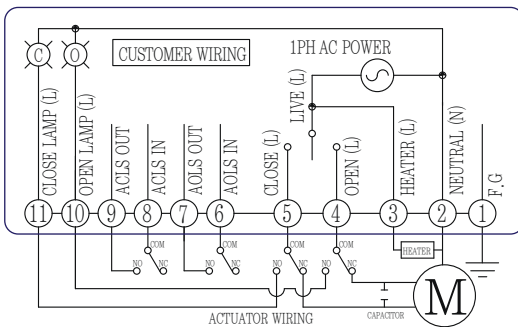
Explosion proof

► Performance

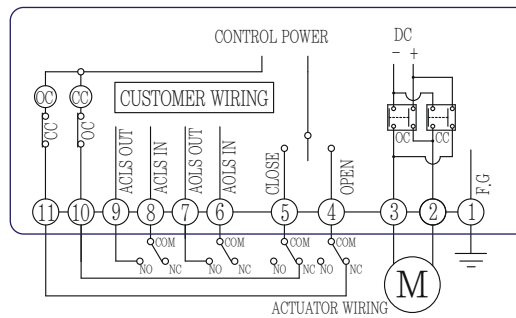
| MODEL | MAX TORQUE (Nm) | OPERATING TIME 50Hz/60Hz(sec) | RATED CURRENT (A) | | | MOTOR CLASS/OUTPUT (AC·DC) | MANUAL TURNS |
|----------|-----------------|-------------------------------|-------------------|----------|----|----------------------------|--------------|
| | | | AC (1PH) 50/60Hz | | DC | | |
| | | | 110V | 220V | | | |
| KP010-5G | 25 | 8 / 6.5 | 0.67/0.6 | 0.23/0.2 | 2 | E·B/10W·10W | 6 |
| KP010-6G | 60 | 18 / 15 | 0.67/0.6 | 0.23/0.2 | 2 | E·B/10W·10W | 6 |
| KP010-7G | 80 | 34 / 28 | 0.67/0.6 | 0.23/0.2 | 2 | E·B/10W·10W | 6 |
| KP010-8G | 100 | 42 / 35 | 0.67/0.6 | 0.23/0.2 | 2 | E·B/10W·10W | 6 |

► Drawing

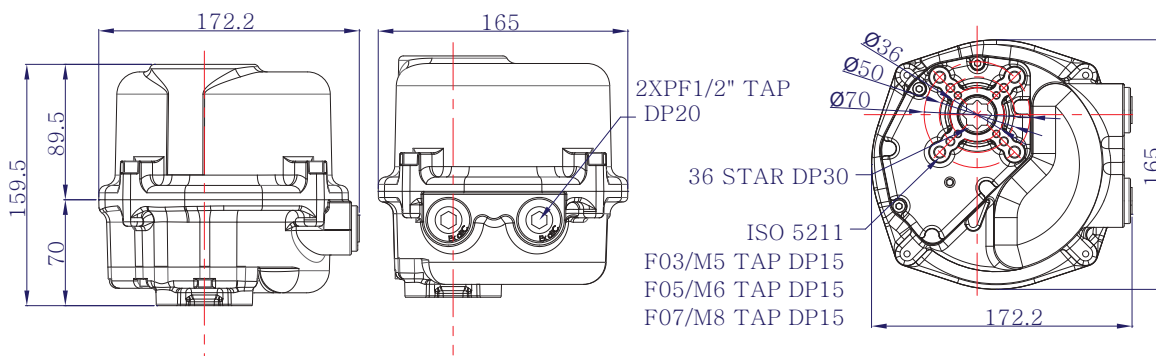
► AC 1PH



► DC 24V



► Dimension table



► ISO5211 & stem

| | Standard | Option | Wt (Kg) |
|-------|------------------|------------------|---------|
| KE002 | F03/05, 11*11 | | 0.9 |
| KE004 | F03/05/07, 11*11 | 14*14 | 1.5 |
| KE005 | F03/05/07, 14*14 | 11*11 | 1.3 |
| KE006 | F03/05/07, 14*14 | | 1.9 |
| KE008 | F03/05/07, 14*14 | F05/07, 17*17 | 2.6 |
| KE010 | F05/07, 14*14 | 17*17 | 3.0 |
| KE016 | F05/07/10, 17*17 | | 6.2 |
| KE028 | F07/10, 22*22 | F07/10/12, 27*27 | 8.9 |
| KE040 | F07/10, 22*22 | F07/10/12, 27*27 | 9.4 |
| KE050 | F07/10, 22*22 | F07/10/12, 27*27 | 9.4 |
| KE080 | F10/12, 36*36 | F10/14, 36*36 | 26.0 |
| KE120 | F10/12, 36*36 | F10/14, 36*36 | 26.0 |
| KP010 | F03/05/07, 14*14 | | 6.3 |

► Option table

| Option | Description | Model | | | | | | | | | | | |
|--------|---|--------|-------|-----------------------------------|-------|-------|-------|-------|-------|-------|-------|-------|-----------------------------|
| | | KE002 | KE004 | KE005 | KE006 | KE008 | KE010 | KE016 | KE028 | KE040 | KE050 | KE080 | KE120 |
| WT | Watertight (IP68 5m 120hr) | ○ | ○ | ○ | ○ | ○ | ○ | ○ | ○ | ○ | ○ | ○ | ○ |
| TS | Electric Torque switches | | | | | | | ○ | ○ | ○ | ○ | ○ | ○ |
| MC | Modulating Control (4~20mA) | 1ph | ○ | ○ | ○ | ○ | ○ | ○ | ○ | ○ | ○ | ○ | ○ |
| SM | Modulating control (4~20mA,0~1V,2~10V,0~5V,1~5V) | 1ph | ○ | ○ | ○ | ○ | | | ○ | ○ | ○ | ○ | ○ |
| | | 24v dc | ○ | ○ | ○ | ○ | ○ | ○ | ○ | ○ | | | |
| LC | Local Control (Electric torque switch included) | 1ph | | | | | | | ○ | ○ | ○ | ○ | ○ |
| | | 3ph | | | | | | | ○ | ○ | ○ | ○ | ○ |
| LM | Local and Modulating control (Electric torque switch included) | 1ph | | | | | | | ○ | ○ | ○ | ○ | ○ |
| | | 3ph | | | | | | | ○ | ○ | ○ | ○ | ○ |
| C2 | 24V DC Control board (2 Wire) | ○ | ○ | | ○ | | | | | | | | |
| C3 | 24V DC Control board (3 Wire) | ○ | ○ | Standard Included | ○ | | | | | | | | |
| TP | Thermal Protect | | | | | | | | | | | | (Only AC) Standard Included |
| HT | Heater | | | (Only AC) Standard Included | | | | | | | | | (Only AC) Standard Included |
| TH | Thermal protect and Heater | ○ | ○ | | ○ | | | | | | | | |

KOSA PLUS

KOSAPLUS Co.,Ltd.

294, Gongdan2daero, Siheung, Gyeonggi, 15115, S.Korea (<http://www.kosaplus.com>)

· E-mail : oversea@kosaplus.com · Tel : +82-31-433-3159 / Fax : +82-31-433-3151

Catalog Version : 5.0 (Sep.2018)

- Data contained in the Catalog may be subject to change without advance notice for improvement of performance&safety of Product.

- Contact us for the most recent product and technical information. Visit our website for more details: <http://www.kosaplus.com>