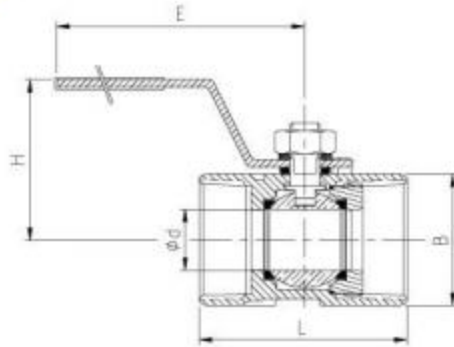


ONE PIECE THREADED BALL VALVES

BB-101 1000PSI STAINLESS STEEL BALL VALVES



SPECIFICATIONS

- Size Range 1/4"~2"
- For chemical and industrial applications
- Blow-out proof stem design
100% tested air under water at 100psi, open and closed positions
- Working pressure 1000 psi W.O.G
- Temperature range -20° to 450°F
- End types threaded

MATERIALS LIST

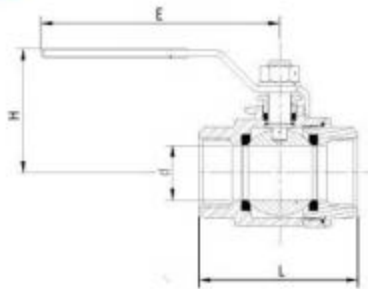
Designation	Specification	
BODY	ASTM A351	GR.CF8M/CF8
INSCREWED SEAT RETAINER	ASTM A276	GR. 316/304
BALL	ASTM A351	GR. CF8M/CF8
STEM	ASTM A276	GR. 316/304
SEAT	PTFE	
HANDLE	ASTM A276	GR. 316/304

DIMENSIONS UNIT:mm

SIZE	ϕd	L	B	H	E	SIZE	ϕd	L	B	H	E
1/4"	5	39.4	16.5	31	58	1"	15	70.7	37.5	49	104
3/8"	7	44.2	20.5	36	69	1-1/4"	20	77	47	54	104
1/2"	9.2	56.6	24.5	48	89	1-1/2"	25	83	53	67	123
3/4"	12.5	59	31.5	45.3	89	2"	32	100	64.5	73	123

TWO-PIECE THREADED BODY BALL VALVES

BB-201 1000PSI STAINLESS STEEL BALL VALVES



SPECIFICATIONS

- Size Range 1/4"~2"
- For chemical and industrial applications
- Blow-out proof stem design, 100% tested air under water at 100psi, open and closed positions
- Working pressure 1/4"~2" 1000 psi W.O.G 2-1/2"~3" 800 psi W.O.G
- Temperature range -20° to 450°F
- End types threaded

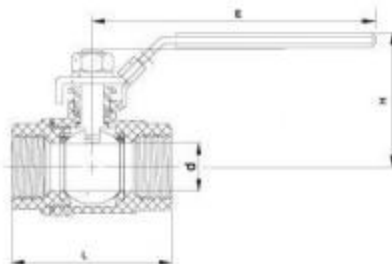
MATERIALS LIST

Designation	Specification	
BODY	ASTM A351	GR.CF8M/CF8
END CAP	ASTM A351	GR.CF8M/CF8
BALL	ASTM A351	GR.CF8M/CF8
STEM	ASTM A276	
SEAT	PTFE	
HANDLE	S.S. 304	G.R. 304

DIMENSIONS UNIT:mm

SIZE	ϕd	E	H	L	SIZE	ϕd	E	H	L	SIZE	ϕd	E	H	L
1/4"	11.6	100	50	53.8	1"	25	148	73	82.8	2"	50	164	94	125
3/8"	12.5	100	50	53.8	1-1/4"	32	148	75	92.1	2-1/2"	65	248	135	162
1/2"	15	120	56	59.7	1-1/2"	38	164	85	111	3"	80	248	135	176
3/4"	20	120	60	71										

BK-201 1000PSI STAINLESS STEEL BALL VALVES



SPECIFICATIONS

- Size Range 1/4"~4"
- For chemical and industrial applications
- Blow-out proof stem design, 100% tested air under water at 100psi, open and closed positions
- Working pressure 1/4"~2" 1000 psi W.O.G
2-1/2"~3" 800 psi W.O.G 4" 600 psi
- Temperature range -20° to 450°F
- End types threaded with Locking device
- Locking lever handle

MATERIALS LIST

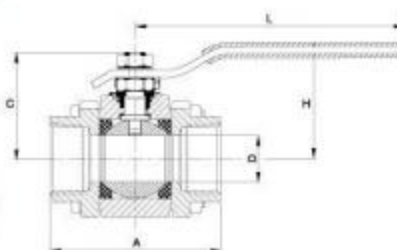
Designation	Specification	
BODY	ASTM A351	GR.CF8M/CF8
END CAP	ASTM A351	GR.CF8M/CF8
BALL	ASTM A351	GR.CF8M/CF8
STEM	ASTM A276	
SEAT	PTFE	
HANDLE	S.S. 304	G.R. 304

DIMENSIONS UNIT:mm

SIZE	ϕd	E	H	L	SIZE	ϕd	E	H	L
1/4"	11.6	100	50	54.4	1-1/4"	32.0	148	75	92.1
3/8"	12.5	100	50	54.4	1-1/2"	38.0	164	84	111
1/2"	15.0	120	56	59.7	2"	50.0	164	94	125
3/4"	20.0	120	60	71.0	2-1/2"	65.0	248	130	162
1"	25.0	148	70	82.8	3"	80.0	248	137	176
					4"	100	290	180	233

THREE-PIECE HEAVY DUTY-HIGH PERFORMANCE BALL VALVES

BB-301 1000 WOG STAINLESS STEEL REDUCED PORT BALL VALVE



DIMENSIONS UNIT:mm

SIZE					SIZE								
in	mm	A	C	ØD	H	L	in	mm	A	C	ØD	H	L
1/4"	8	66.0	38.1	11.2	45.2	119.4	1-1/4"	32	108.0	60.7	25.4	65.5	147.1
3/8"	10	66.0	38.1	11.2	45.2	119.4	1-1/2"	40	116.1	73.2	31.8	78.7	182.1
1/2"	15	66.0	38.1	11.2	45.2	119.4	2"	50	128	78.2	38.1	83.6	182.1
3/4"	20	71.1	40.4	14.2	47.5	119.4	2-1/2"	65	151.4	88.4	50.8	93.2	267.0
1"	25	94.0	55.9	20.6	62.0	147.1							

SPECIFICATIONS

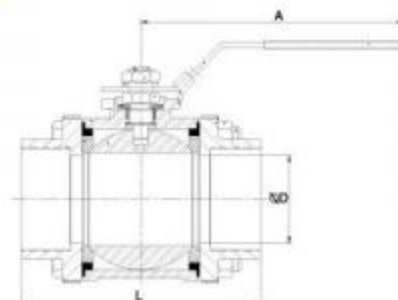
- Size Range 1/4"~2-1/2"
- Blow-out proof stem design
- ISO5211 mounting pad
- Chemical, food, oil / gas, etc.
- All S.S weld ends in S.S 316L / CF3M
- 100% tested air under water at 100psi, open and closed positions
- Working pressure 1000psi WOG
- End types threaded, socket welding, butt welding

MATERIALS LIST

Designation	STAINLESS STEEL	CARBON STEEL
BODY	ASTM A351 GR. CF8M	ASTM A216 GR. WC8
CAP	ASTM A351 GR. CF3M	ASTM A216 GR. WC8
BALL	ASTM A351 GR. CF8M	ASTM A351 GR. CF8
STEM	ASTM A276 TYPE 316	ASTM A276 TYPE 304
HANDLE	S.S. 304	S.S. 304
SEAT	PTFE	PTFE

THREE PIECE THREADED BODY BALL VALVES

BB-311 1000 WOG STAINLESS STEEL FULL PORT BALL VALVE



DIMENSIONS

SIZE					SIZE				
in	mm	A	ØD	L	in	mm	A	ØD	L
1/2"	15A	120	15	65.4	2"	50A	164	50	133.4
3/4"	20A	120	20	79	2-1/2"	65A	248	65	162.8
1"	25A	148	25	86	3"	80A	248	80	183
1-1/4"	32A	148	32	105	4"	100A	100	227.2	
1-1/2"	40A	164	38	119.5					

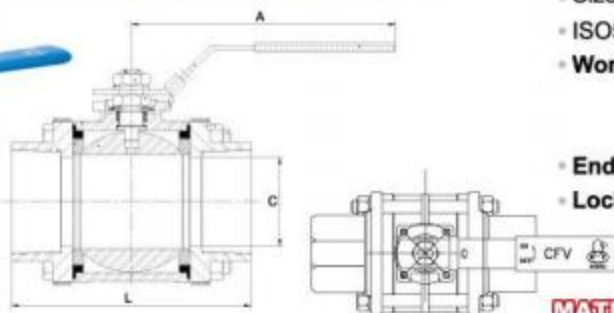
SPECIFICATIONS

- Size Range 1/2"~ 4"
- Blow-out proof stem design
- Working pressure 1/4" ~ 2" : 1000 psi W.O.G
2-1/2" ~ 3" : 800 psi W.O.G
4" : 600 psi W.O.G
- Temperature range : -20 to 450°F

MATERIALS LIST

Designation	Specification
BODY	ASTM A351 CF8M
CAP	ASTM A351 CF8M
STEM	ASTM A276 316
BALL	ASTM A351 CF8M
HANDLE	S.S. 304
SEAT	PTFE

BB-312TH 1000 WOG STAINLESS STEEL FULL PORT BALL VALVE



DIMENSIONS UNIT:mm

SIZE					SIZE				
in	mm	A	ØC	L	in	mm	A	ØC	L
1/2"	15A	120	15	65.4	2"	50A	164	50	133.4
3/4"	20A	120	20	79	2-1/2"	65A	222	65	162.8
1"	25A	147	25	86	3"	80A	222	80	183
1-1/4"	32A	147	32	105	4"	100A	298	100	227
1-1/2"	40A	164	38	119.4					

SPECIFICATIONS

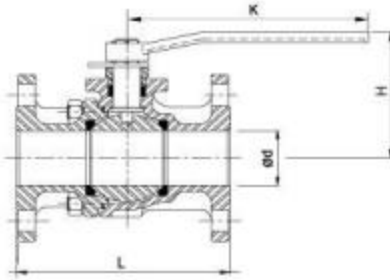
- Size Range 1/2"~4"
- ISO5211 mounting pad
- Working pressure 1/4" ~ 2" : 1000 psi W.O.G
2-1/2" ~ 3" : 800 psi W.O.G
4" : 600 psi W.O.G
- End types threaded, socket welding, butt welding
- Locking lever handle

MATERIALS LIST

Designation	Specification
BODY	ASTM A351 CF8M
CAP	ASTM A351 CF8M
STEM	ASTM A276 316
BALL	ASTM A351 CF8M
HANDLE	S.S. 304
SEAT	PTFE

TWO-PIECE FLANGE BALL VALVES

F601 ANSI CLASS 150 LB



SPECIFICATIONS

- Size Range 1/2"~10"
- Blow-out proof stem
- Anti-static design is standard
- Temperature range -20° to 450° F
- Face to face ASME B16.10
- Flange dimensions ASME B16.5
- Mounting pad ISO 5211
- Pressure rating ANSI 150

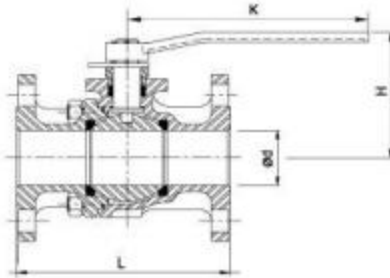
MATERIALS LIST

Designation	Material
BODY&CAP	CF8 / CF8M / WCB
SEAT	PTFE (5"-10" PTFE+15%GF)
HANDLE	C.S
BALL	CF8 CF8M CF8
STEM	SUS304 SUS316 SUS304

DIMENSIONS UNIT:mm

SIZE	ød	K	H	L	SIZE	ød	K	H	L
1/2"	15	145	73	108	3"	80	320	151	203
3/4"	20	145	79	117	4"	100	320	165	229
1"	25	165	91	127	5"	125	514	207	356
1-1/4"	32	165	94	140	6"	152	514	225	394
1-1/2"	38	230	113	165	8"	200	1000	291	457
2"	50	230	122	178	10"	250	1000	347	533
2-1/2"	65	230	144	190					

F602 JIS 10K



SPECIFICATIONS

- Size Range 1/2"~10"
- Blow-out proof stem
- Anti-static design is standard
- Temperature range -20° to 450° F
- Face to face ASME B16.10
- Flange dimensions JIS B2238
- Mounting pad ISO 5211
- Pressure rating JIS 10K

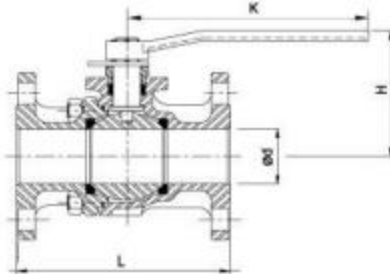
MATERIALS LIST

Designation	Material
BODY&CAP	SCS13A / SCS14A / SCW410
SEAT	PTFE (5"-10" PTFE+15%GF)
HANDLE	C.S
BALL	SCS13A SCS14A SCS13A
STEM	SUS304 SUS316 SUS304

DIMENSIONS UNIT:mm

SIZE	ød	K	H	L	SIZE	ød	K	H	L
1/2"	15	145	73	108	3"	80	320	151	203
3/4"	20	145	79	117	4"	100	320	165	229
1"	25	165	91	127	5"	125	514	207	356
1-1/4"	32	165	94	140	6"	152	514	225	394
1-1/2"	38	230	113	165	8"	200	1000	291	457
2"	50	230	122	178	10"	250	1000	347	533
2-1/2"	65	230	144	190					

F603 PN16



SPECIFICATIONS

- Size Range 1/2"~10"
- Blow-out proof stem
- Anti-static design is standard
- Temperature range -20° to 450° F
- Face to face DIN 3202 F4
- Flange dimensions EN1092-1
- Mounting pad ISO 5211
- Pressure rating PN16

MATERIALS LIST

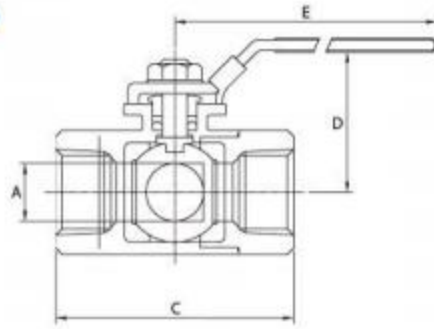
Designation	Material
BODY&CAP	1.4308 / 1.4408 / 1.0619
SEAT	PTFE (5"-10" PTFE+15%GF)
HANDLE	C.S
BALL	1.4308 / 1.4408 / 1.4308
STEM	SUS304 SUS316 SUS304

DIMENSIONS UNIT:mm

SIZE	ød	K	H	L	SIZE	ød	K	H	L
1/2"	15	145	73	130	3"	80	320	151	310
3/4"	20	145	79	150	4"	100	320	165	350
1"	25	165	91	160	5"	125	514	207	400
1-1/4"	32	165	94	180	6"	152	514	225	480
1-1/2"	38	230	113	200	8"	200	1000	291	600
2"	50	230	122	230	10"	250	1000	347	730
2-1/2"	65	230	144	290					

3-WAY REDUCED PORT BALL VALVES

BG-G4 1000 PSI STAINLESS STEEL



SPECIFICATIONS

- Size Range 1/4"-2"
- Screwed end
- Adjustable stem packing
- Blow-out proof stem
- NPT connection according to ANSI B1 .20.1
- Locking lever handle
- ISO 5211 mounting pad
- "L" port for diverter use
- Floating ball Design

DIMENSIONS UNIT:mm

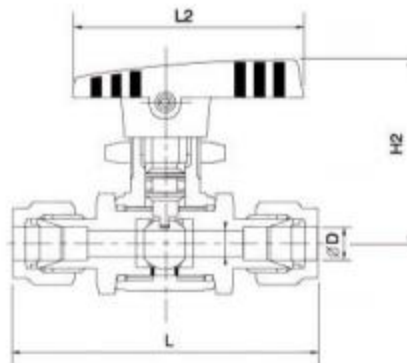
size	8	10	15	20	25	32	40	50
mm/in	3/4	3/4	1/2	3/4	1	1 1/4	1 1/2	2
ØA	11.10	12.70	12.70	17.30	20.60	25.40	31.80	38.10
mm/in	0.44	0.50	0.50	0.68	0.81	1.00	1.25	1.50
C	58.70	58.70	58.70	76.20	82.00	102.00	111.00	137.00
mm/in	2.31	2.31	2.31	3.00	3.23	4.02	4.37	5.39
D	50.80	50.80	50.80	58.50	62.35	74.10	78.85	94.20
mm/in	2.00	2.00	2.00	2.29	2.46	2.92	3.10	3.71
E	100.00	100.00	100.00	130.00	130.00	155.00	155.00	175.00
mm/in	3.94	3.94	3.94	5.12	5.12	6.10	6.10	6.89

MATERIALS LIST

Designation	SPECIFICATION
BODY	A351 CF8M
CAP	A351 CF8M
BALL	ASTM A351 CF8M
SEAT	REINFORCED TFE15% GFT
STEM	S.S. 304-ASTM A276
HANDLE	S.S. 304-ASTM A276

3-PIECE COMPRESSION END BALL VALVES

BE-301 1000 PSI STAINLESS STEEL



SPECIFICATIONS

- Size Range 1/4"-3/4"
- End type swagelok
- Compact and light weight
- Durability enhanced with PTFE packing
- Handle shaped to provide superior operability
- Fluid air, gases, water, vacuum
- Max working pressure 50kg/cm² @ 40°C
- Working temperature range -29°C~+160°C

MATERIALS LIST

Designation	Specification
BODY	SCS14A
BALL	SUS316
SEAT	PTFE
STEM	SUS316
HANDLE	NYLON(BLACK)

DIMENSIONS UNIT:mm

size/item	ØD	H2	L2	L
A5-1/4"-OD-3	6.55	38	47	62
A5-3/8"-OD-3	9.60	42	57	70
A5-1/2"-OD-3	12.80	45	57	81
A5-3/4"-OD-3	19.20	45	57	82